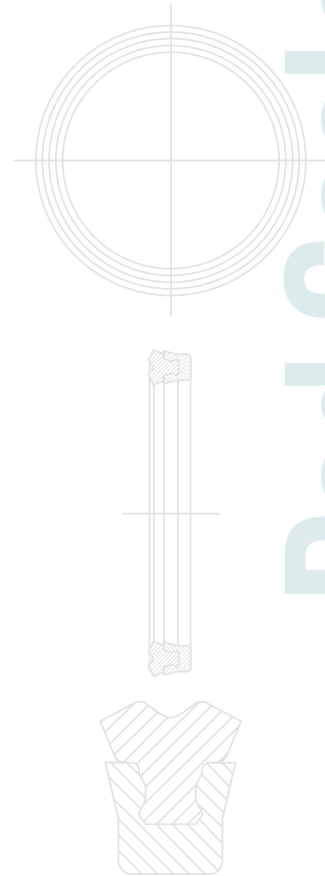


O-Rings & Kits  
Wipers  
Compounds  
Custom Parts  
Specialty Parts  
Services  
Wear Guides  
Piston Seals

QUALITY | VALUE | SERVICE

# Rod Seals

# Rod Seals



**HIGH PERFORMANCE SEALS**  
An RT Dygert Company

# Nothing gets past our seals!



There's no room for compromise if your business relies on lasting, consistent quality seals. High Performance Seals is an industry leader in meeting the demanding requirements of Original Equipment Manufacturers in the areas of fluid power, chemical processing, agricultural, food & beverage, plumbing and other markets for seals and related custom parts.

Our standards are unsurpassed. We source our seals from respected domestic and international companies renowned for their quality and engineering programs. We stock both standard and custom parts for our customers, assuring you a constant supply to meet your exact demands.

High Performance Seals also provides extensive value-added services, including JIT/Kanban programs, pre-production and MRO kitting, special marking and packaging options and more. Call us about your special needs.

For specific material recommendations, please refer to our compounds brochure. For additional information, contact our responsive customer service department at 877.796.0123, or visit [www.highperformanceseals.com](http://www.highperformanceseals.com).

## ROD SEALS

### ASSYMETRICAL UNLOADED U-CUP



**PRESSURE**  
6,000 PSI

**TEMPERATURE RANGE**  
-50° – +250° F

**VELOCITY**  
3.2 feet/sec

**MATERIALS**  
Urethane  
Hytrel™

**FEATURES**  
Pressure energized seal  
Back beveled lip  
Bump heel  
Film breaking

**APPLICATIONS**  
Mobile hydraulic  
Agricultural  
General industrial

### BEVELED LOADED U-CUP



**PRESSURE**  
6,000 PSI

**TEMPERATURE RANGE**  
-50° – +250° F

**VELOCITY**  
3.2 feet/sec

**MATERIALS**  
Urethane  
Hytrel™  
Nitrile  
Viton™

**FEATURES**  
Energized seal  
Back beveled lip  
Film breaking

**APPLICATIONS**  
Mobile hydraulic  
Agricultural  
General industrial  
Medium duty cycle

### DEEP LOADED U-CUP



**PRESSURE**  
6,000 PSI

**TEMPERATURE RANGE**  
-50° – +250° F

**VELOCITY**  
3.2 feet/sec

**MATERIALS**  
Urethane  
Hytrel™  
Nitrile  
Viton™

**FEATURES**  
Energized seal  
Improved extrusion resistance  
Improved stability

**APPLICATIONS**  
Mobile hydraulic  
Agricultural  
General industrial  
High duty cycle

### DOUBLE LIP U-CUP



**PRESSURE**  
6,000 PSI

**TEMPERATURE RANGE**  
-50° – +250° F

**VELOCITY**  
3.2 feet/sec

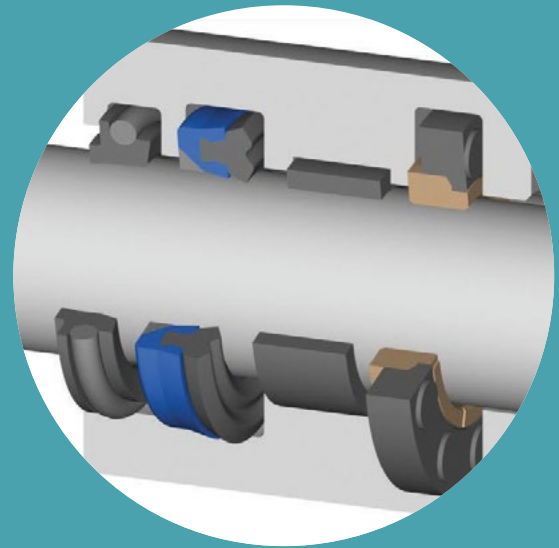
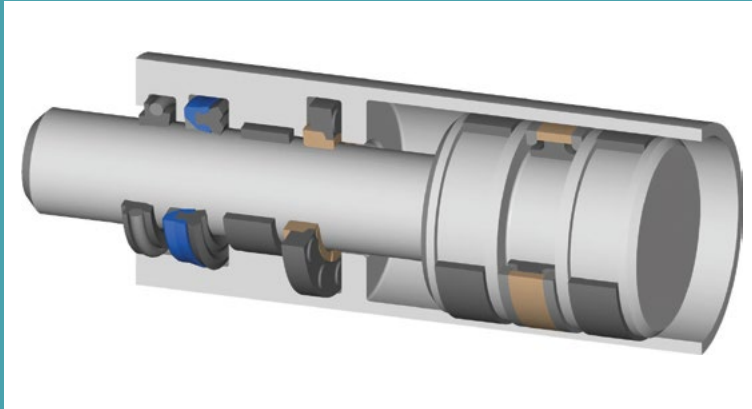
**MATERIALS**  
Urethane  
Hytrel™  
Nitrile\*  
Viton™\*  
HNBR  
Low-temp nitrile\*  
Carboxylate nitrile\*

**FEATURES**  
Low compression set  
Secondary lip  
Extrusion resistant base  
Low-temp sealing

**APPLICATIONS**  
Heavy duty  
Mobile hydraulic  
Telescopic cylinder  
High duty cycle

\*Lip material





QUALITY | VALUE | SERVICE

**DOUBLE LIP U-CUP WITH ANTI-EXTRUSION RING**



**PRESSURE**  
10,000 PSI

**TEMPERATURE RANGE**  
-50° – +250° F

**VELOCITY**  
3.2 feet/sec

**MATERIALS**  
Urethane  
Hytrel™  
Nitrile\*  
Viton™\*\*  
HNBR  
Low-temp nitrile\*  
Carboxylate nitrile\*

**FEATURES**  
Low compression set  
Secondary lip  
Anti extrusion ring  
Extrusion resistant base  
Low-temp sealing

**APPLICATIONS**  
Heavy duty  
Mobile hydraulic  
High pressure  
High duty cycle  
Pressure spikes  
Large extrusion gaps

\*Lip material

**SPRING ENERGIZED**



**PRESSURE**  
10,000 PSI

**TEMPERATURE RANGE**  
-450° – +550° F

**VELOCITY**  
3.2 feet/sec

**MATERIALS**  
UHMWPE  
PTFE  
PEEK  
S/S spring

**FEATURES**  
Low compression set  
Secondary lip  
Low-temp sealing  
Low friction  
Widest P/T range  
Custom design

**APPLICATIONS**  
Petro-chemical  
Low friction  
Extreme temperatures  
Corrosive fluids  
High duty cycle

**STANDARD BUFFER**



**PRESSURE**  
6,000 PSI

**TEMPERATURE RANGE**  
-50° – +250° F

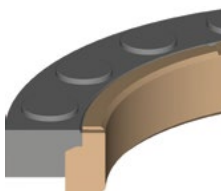
**VELOCITY**  
3.2 feet/sec

**MATERIALS**  
Filled PTFE  
Nitrile

**FEATURES**  
Protects rod seal from pressure spikes  
Lower friction, longer life  
Vents back pressure

**APPLICATIONS**  
Any application requiring secondary sealing to reduce effects of pressure spikes  
Medium duty cycle

**PREMIUM BUFFER**



**PRESSURE**  
10,000 PSI

**TEMPERATURE RANGE**  
-50° – +250° F

**VELOCITY**  
3.2 feet/sec

**MATERIALS**  
Filled PTFE  
Nitrile

**FEATURES**  
Protects rod seal from pressure spikes  
Lower friction, longer life  
Vents back pressure

**APPLICATIONS**  
Any application requiring secondary sealing to reduce effects of pressure spikes  
High duty cycle  
Large rod size

**NOTE:** Capabilities shown in this brochure are directly related to design tolerances. Please consult with High Performance Seals for your specific application.

Rod Seals

[sales@highperformances seals.com](mailto:sales@highperformances seals.com) • [www.highperformances seals.com](http://www.highperformances seals.com)

**SEATTLE**  
**3902 W. Valley Hwy N., Suite 200**  
**Auburn, WA 98001**  
**253.218.0123** PHONE  
**877.796.0123** TOLL FREE  
**253.218.0121** FAX

**MINNEAPOLIS**  
**12121 Nicollet Avenue S.**  
**Burnsville, MN 55337**  
**952.835.1700** PHONE  
**866.783.8883** TOLL FREE  
**952.835.1701** FAX

**CHICAGO**  
**2700 S. River Road, Suite 116**  
**Des Plaines, IL 60018**  
**847.675.1444** PHONE  
**800.423.9272** TOLL FREE  
**847.675.8889** FAX

© 2015, High Performance Seals, Inc. Rev 12.16

**LIMITED WARRANTY** High Performance Seals ("Seller") warrants that its products ("Goods") will perform in accordance with their specifications; that the goods will be free from manufacturing defects for a period of twelve (12) months from the date of delivery of the goods to Buyer; and that the goods will be as specified by Buyer in the purchase order. Seller should have the right to elect to either refund the purchase price for any defective goods or replace any defective goods, provided that the goods were used in the manner for which they were manufactured. Seller does not warrant that the goods are fit for any particular purpose. Seller should have no obligation to refund the purchase price or replace goods that are rendered defective by a Buyer or a third party after they leave Seller's place of shipment.

**LIMITED LIABILITY** Seller's liability for its goods is limited to their terms set forth in Seller's express warranty set for above, in no event shall Seller's liability exceed the total purchase order price. Seller is not assuming any liability for any indirect, collateral, special, incidental or consequential losses or damages suffered by Buyer, or by any end-user or other third party, including but not limited to, lost profits, loss of business reputation and/or lost business opportunity, for any possible cause of action or claim arising out of or related to the goods sold to Buyer, even if Seller has been advised of the possibility of such loss or damage.

